

Dynatrol®

CL-10RH

Liquid Level Detector

The Dynatrol® Type CL-10RH Level Detector is a dynamic type level switch designed for high- or low-point level detection of liquids and slurries. A unique vibrating principle permits design and operation features not available with other types of liquid level detectors. Built in the USA for over 60 years, Dynatrol® Level Detectors are solidly constructed and designed as a long-lasting, reliable solution for a variety of applications.

ADVANTAGES

Dynatrol® Level Detectors can be used on a wide range of liquids and slurries and can be mounted in any position on a vessel or in piping. No packing gland, diaphragm, float, bearing, bellows or other troublesome pressure seal is used in the Dynatrol® Detector design. This unique design provides rugged construction yet a sensitive transmission of vibration energy through a rigid, all-welded pressure seal. Corrosion resistant coatings are available if required for specific applications. All components are constructed for long operating-life and require no field adjustments.



SPECIFICATIONS

DYNATROL® Type CL-10RH Detector

- **EXPLOSION PROOF:** CSA NRTL/C approved for Class 1, Group D, Division 1, Class 2 Groups E, F and G
- **TEMPERATURE RATING:** 300°F
(consult factory for higher ratings)
- **PRESSURE RATING:** 3000 PSIG @ 100°F
- **PRESSURE CONNECTION:** 3/4-inch NPT
- **CONDUIT CONNECTION:** 1/2-inch NPT
- **PROCESS CONTACT SURFACES:** 316 SS

PRINCIPLE OF OPERATION

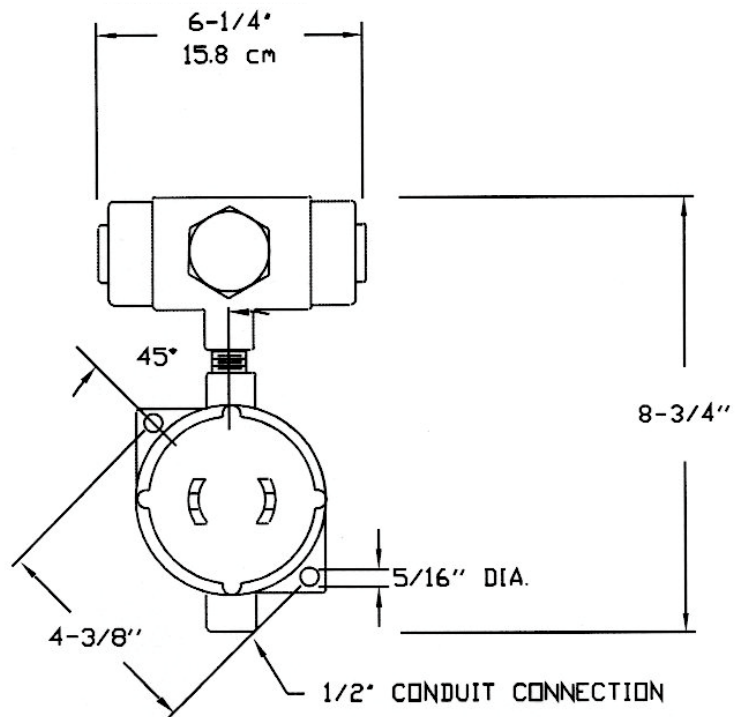
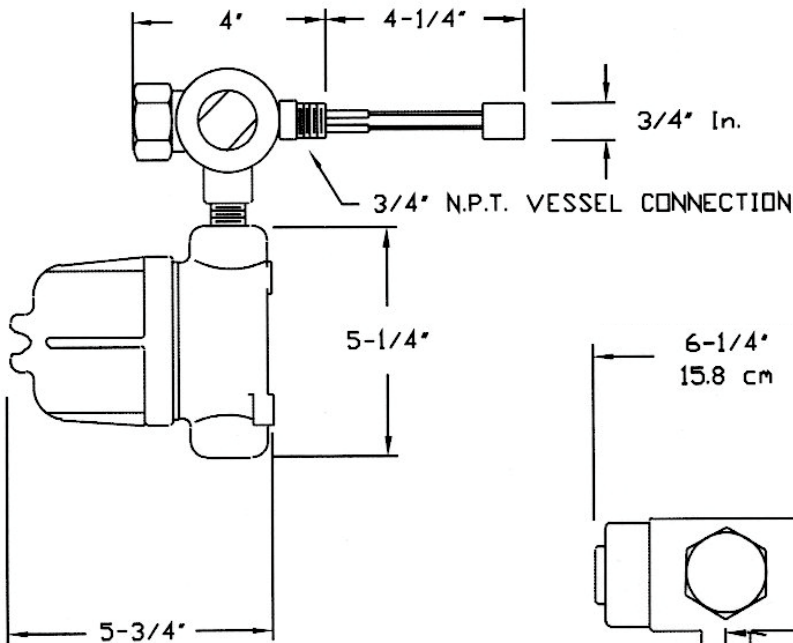
The Dynatrol® CL-10RH Level Detector consists of a paddle-style probe which is installed through the wall of the bin or duct at the desired point of level detection. The Dynatrol® paddle is driven into vibration by a driver coil. A second coil produces a voltage proportional to the paddle vibration amplitude.

When the paddle comes into contact with the process media its amplitude of vibration decreases and the output voltage drops to a very low value. This change in output signal operates the SPDT contacts of the EC-102B Relay Switch Receiver.

AUTOMATION PRODUCTS, INC.
3030 MAXROY STREET • HOUSTON, TEXAS 77008-6294
PH: (800) 231-2062 • FAX: (713) 869-7332
WWW.DYNATROLUSA.COM • INFO@DYNATROLUSA.COM

Dynatrol® Level Detector Information

CL-10RH



EC-102B

SPECIFICATIONS

EC-102B Relay Switch Receiver

- EXPLOSION PROOF: CSA NRTL/C approved for Class 1, Group D, Division 1, Class 2, Groups E, F and G
- VOLTAGE SUPPLY: 120 VAC, 60Hz
- POWER CONSUMPTION: 5 VA
- CONDUIT CONNECTIONS: 1/2-inch
- TEMPERATURE RATING: 125°F max
- CONTACTS: SPDT 2A @ 120 VAC (Non-Inductive)

