

Dynatrol®

CL-10GH

Liquid Level Detector

The Dynatrol® CL-10GH Level Detector is a dynamic type level switch designed for the high- or low-point level detection of liquids and slurries. A unique vibrating principle permits design and operation features not available with other types of liquid level detectors. Built in the USA for over 60 years, Dynatrol® Level Detectors are solidly constructed and designed as a long-lasting, reliable solution for a variety of applications.

ADVANTAGES

Dynatrol® Level Detectors can be used on a wide range of liquids and slurries and can be mounted in any position on a vessel or in piping. No packing gland, diaphragm, float, bearing, bellows or other troublesome pressure seal is used in the Dynatrol® Detector design. This unique design provides rugged construction yet a sensitive transmission of vibration energy through a rigid, all-welded pressure seal. All components are constructed for long operating-life and require no field adjustments.



SPECIFICATIONS

DYNATROL® CL-10GH Detector

- EXPLOSION PROOF: CSA NRTL/C approved for Class 1, Group D, Division 1, Class 2 Groups E, F and G
- TEMPERATURE RATING: 300°F
(consult factory for higher ratings)
- PRESSURE RATING: 3000 PSIG @ 100°F
- PRESSURE CONNECTION: 3/4-inch NPT
- CONDUIT CONNECTION: 1/2-inch NPT
- PROCESS CONTACT SURFACES: 316 SS

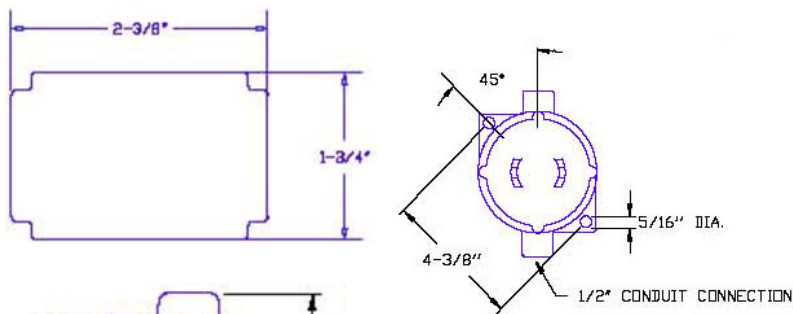
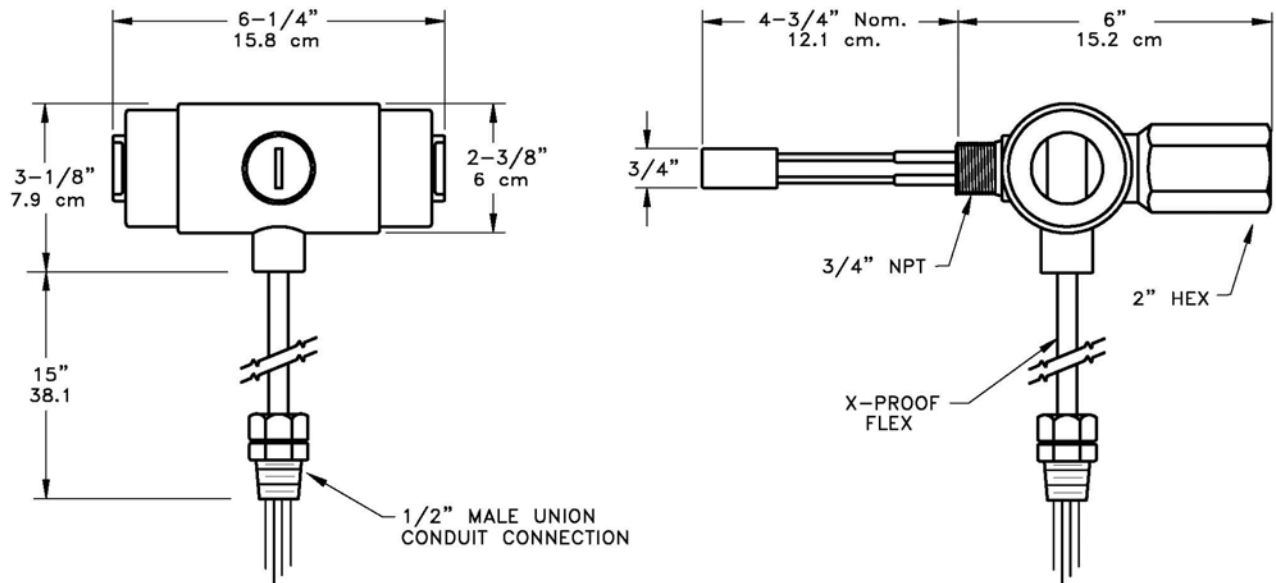
PRINCIPLE OF OPERATION

The Dynatrol® CL-10GH is inserted into the vessel or piping at the desired level. The detector's paddle is driven into vibration by a driver coil and a second coil produces a voltage proportional to the paddle vibration amplitude. When the paddle comes into contact with the process media its amplitude of vibration decreases and the output voltage drops to a very low value. This change in output signal operates the SPDT contacts of the EC-501A(G).

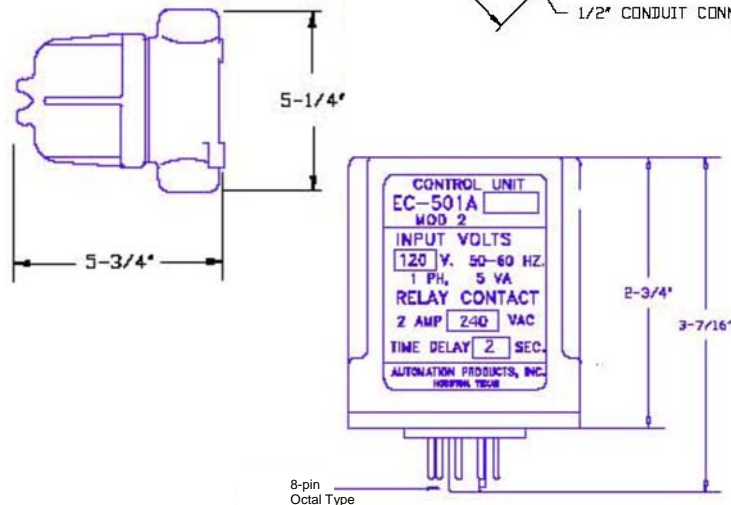
AUTOMATION PRODUCTS, INC.
3030 MAXROY STREET • HOUSTON, TEXAS 77008-6294
PH: (800) 231-2062 • FAX: (713) 869-7332
WWW.DYNATROLUSA.COM • SALES@DYNATROLUSA.COM

Dynatrol® Level Detector Information

CL-10GH



EC-501A(G)



SPECIFICATIONS

EC-501A(G) Control Unit

- EXPLOSION PROOF: CSA NRTL/C approved for Class I, Group D; Class II, Group E, F & G; Class III
- VOLTAGE SUPPLY (Nom): 120v—50-60Hz
- POWER CONSUMPTION: 5 VA
- TEMPERATURE RATING: 125°F max
- CONTACTS: SPDT 2A @ 120 VAC (Non-Inductive)
- Also available in 240 VAC and 24 VDC