

Dynatrol®

CL-10GJ

The Dynatrol® Type CL-10GJ Level Detector for bulk solids is designed for high or low-point level detection and constructed to handle sensitive or problem applications with the tendency to bridge or pack. This level detector successfully operates with consistent results on difficult product applications such as flour, cocoa, sugar, pharmaceutical powders, powdered lime and other additional bulk solid materials. Built in the USA for over 55 years, Dynatrol® Level Detectors are solidly constructed units designed to withstand harsh environments.

ADVANTAGES

Dynatrol® Level Detectors can achieve reliable operation where other types of controls may experience operational failure. Our level detection switches successfully operate with consistent results on many difficult product applications. All the level detector components are constructed for a long operating life and require no field adjustments. Dynatrol® Level Detectors can be modified for special level detection applications such as temperatures greater than 600°F, cryogenic temperatures, chemical corrosion and media requiring special coatings. Let Dynatrol® provide a worry-free solution for you today!



SPECIFICATIONS

DYNATROL® Type CL-10GJ Detector

- EXPLOSION PROOF: CSA NRTL/C approved for Class 1, Group D, Division 1
- TEMPERATURE RATING: 300°F
(consult factory for higher ratings)
- PRESSURE RATING: 1000 PSIG @ 100°F
(consult factory for higher ratings)
- PRESSURE CONNECTION: 3/4-inch NPT
- CONDUIT CONNECTION: 1/2-inch NPT
- TYPICAL DENSITY RANGE: 10-15 lbs/ft³

PRINCIPLE OF OPERATION

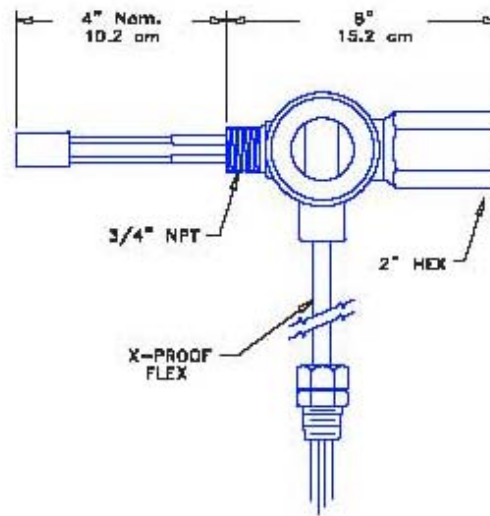
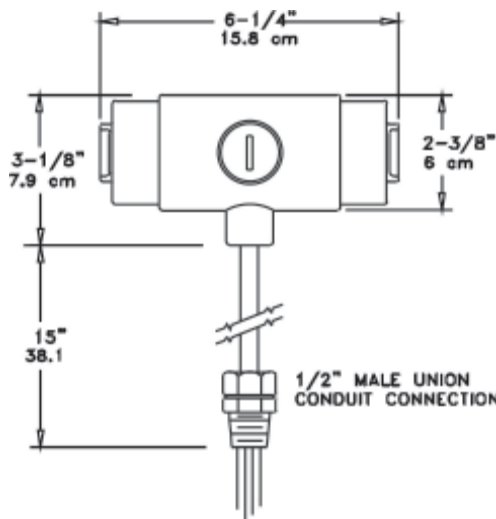
The Dynatrol® CL-10GJ is installed at the desired point of level detection. An uncovered probe is free to vibrate and produces an output signal. The signal operates a relay indicating the probe is uncovered and a low level exists. When the probe is covered, a dampening of the oscillation occurs. The resultant loss of signal de-energizes the relay, indicating a high level exists.

The ON/OFF signal from the vibrating Dynatrol® Level Detector operates the EC-501A(G) Control Unit's SPDT relay. The contacts of this relay can be used to actuate level alarms, indicator lights or process control equipment.

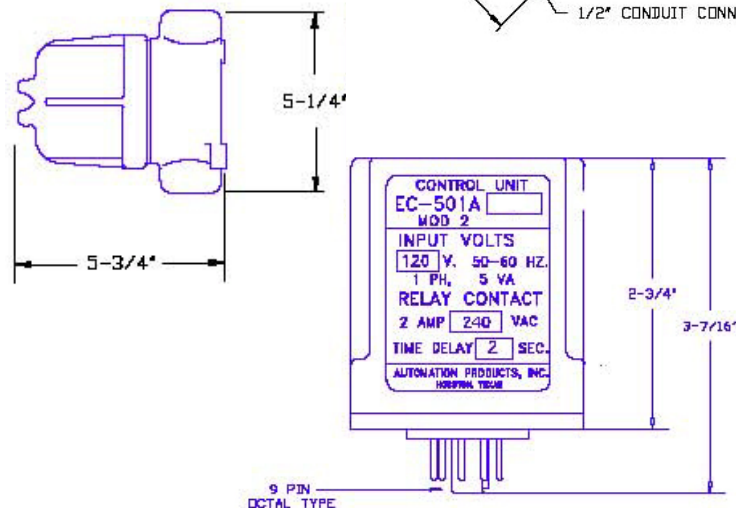
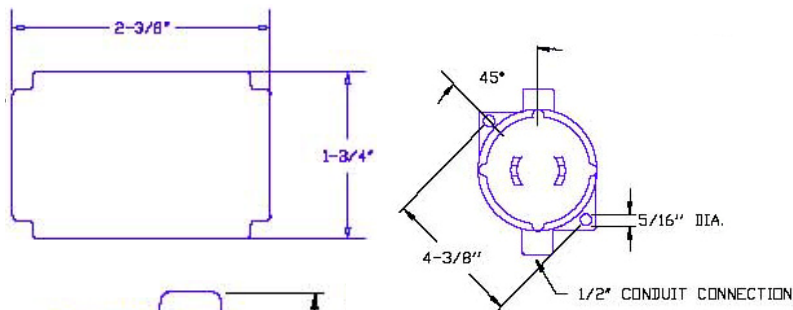
AUTOMATION PRODUCTS, INC.
3030 MAXROY STREET • HOUSTON, TEXAS 77008-6294
PH: (800) 231-2062 • FAX: (713) 869-7332
www.DynatrolUSA.com • info@dynatrolusa.com

Dynatrol® Level Detector Information

CL-10GJ



EC-501A(G)



SPECIFICATIONS

EC-501A Control Unit

- EXPLOSION PROOF: CSA NRTL/C approved for Class I, Group D; Class II, Group E, F & G; Class III
- VOLTAGE SUPPLY (Nom): 120v—50-60Hz
- POWER CONSUMPTION: 5 VA
- TEMPERATURE RATING: 125°F max
- CONTACTS: SPDT 2A @ 120 VAC (Non-Inductive)
- Also available in 240 VAC and 24 VDC