

Dynatrol®

Viscosity Converters

GENERAL

The Dynatrol® Series 3000 and Model 3KL Digital Converters are designed for use with all Dynatrol® Viscosity Systems. The digital converters use microcontroller technology to gather information from a Dynatrol® Viscosity Detector, in order to calculate the viscosity of the liquid under test. Dynatrol® Digital Converters display the viscosity in standard units.

ADVANTAGES

Stable - Accurate - Easily Installed

- Increase speed and accuracy, without compromising reliability.
- No programming - ready for use on your application.
- Simple Calibration and keypad operation.
- Readability - LCD displays temperature, viscosity and status.
- Monitor process via PC or laptop with RS-232 two-way communication.



PRINCIPLE OF OPERATION

Dynatrol® Viscosity Detectors produce signals that are mathematically related to the viscosity of the fluid passing over the probe. The digital converters use two known product values as reference points, and calibration is achieved using those values.



SPECIFICATIONS

DYNATROL® Digital Viscosity Converter

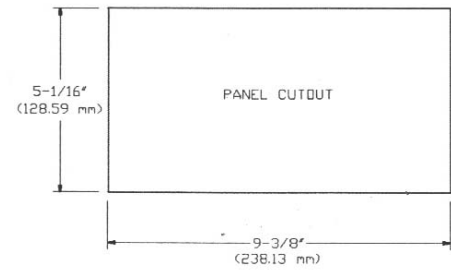
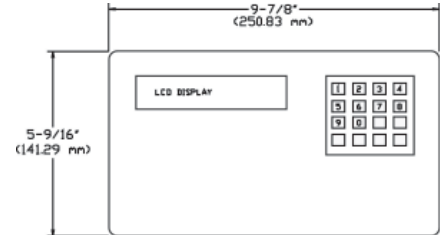
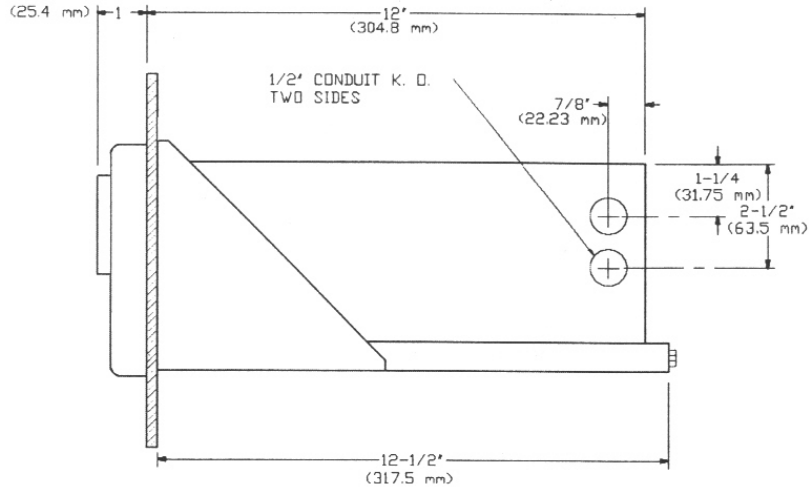
- POWER INPUT: 115V, 50-60Hz, 20VA (230V 50-60Hz available)
- ENCLOSURE: General Purpose, Panel Mount
- CSA NRTL/C Approved for Class 1, Groups ABCD, Division 2
- TEMPERATURE RATING: 25°F - 125°F
- OUTPUT STANDARD SIGNAL: 4-20 MA (other outputs available)

AUTOMATION PRODUCTS, INC.
3030 MAXROY STREET • HOUSTON, TEXAS 77008-6294
PH: (800) 231-2062 • FAX: (713) 869-7332
WWW.DYNATROLUSA.COM • INFO@DYNATROLUSA.COM

Dynatrol® Viscosity Converter Information



Series 3000



Model 3KL

