

Dynatrol®

Density Converters

GENERAL

The Series 2000 and Model 2KL Dynatrol® Digital Converters are designed for use with all Dynatrol® Density Systems. The digital converters use microcontroller technology to measure the frequency and temperature of a Dynatrol® Cell and calculates the density of the liquid-under-test. It converts the output signal from the Dynatrol® Cell in unit measurements of density, specific gravity, Grams/CC, degrees Brix, degrees Baumé, API gravity, percent solids, or percent concentration.

ADVANTAGES

Stable - Accurate - Easily Installed

- Increase speed and accuracy, without compromising reliability.
- No programming - ready for use on your application.
- Simple Calibration and keypad operation.
- Readability - LCD displays temperature, density, corrected gravity, product frequency and status.
- Monitor process via PC or laptop with RS-232 two-way communication.



PRINCIPLE OF OPERATION

Dynatrol® Cells produce frequencies that are mathematically related to the density of the fluids passing through them. The digital converters use two known product frequency values as reference points, the air frequency value and the water frequency value. Calibration is achieved using these two values.



SPECIFICATIONS

DYNATROL® Digital Density Converter

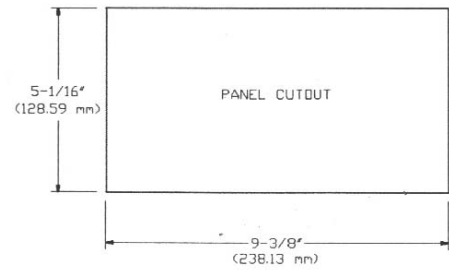
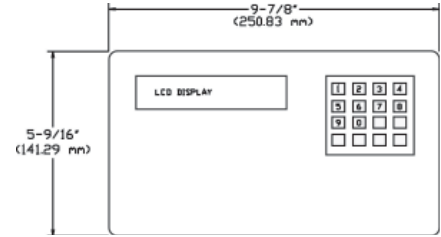
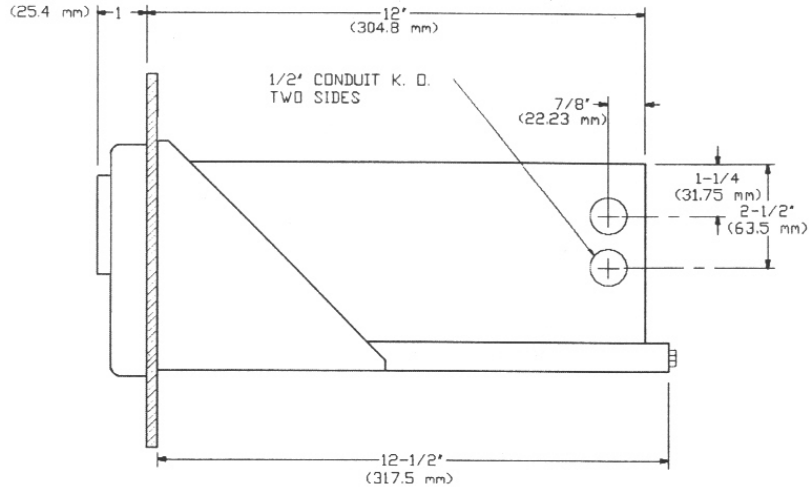
- POWER INPUT: 115V, 50-60Hz, 20VA (230V 50-60Hz available)
- ENCLOSURE: General Purpose, Panel Mount
- CSA NRTL/C Approved for Class 1, Groups A B C D, Division 2
- TEMPERATURE RATING: 25°F - 125°F
- OUTPUT STANDARD SIGNAL: 4-20 mA (other outputs available)
- Accuracy to 0.0005 sgu

AUTOMATION PRODUCTS, INC.
3030 MAXROY STREET • HOUSTON, TEXAS 77008-6294
PH: (800) 231-2062 • FAX: (713) 869-7332
WWW.DYNATROLUSA.COM • INFO@DYNATROLUSA.COM

Dynatrol® Density Converter Information



Series 2000



Model 2KL

